

Technical Data

Burner Model:
Heat Output:

Natural Gas
 LIN-E-36
 60,000 BTU/h
 18 kW

Propane
 LIN-E-36P
 57,000 BTU/h
 18 kW

Clearances to Combustibles:
Available Finishes:
Available Accessories:
Burner Certifications & Standards:

Above: 72" Below: 0" Sides: 4"
 Corten Steel
 Tempered Glass Screen

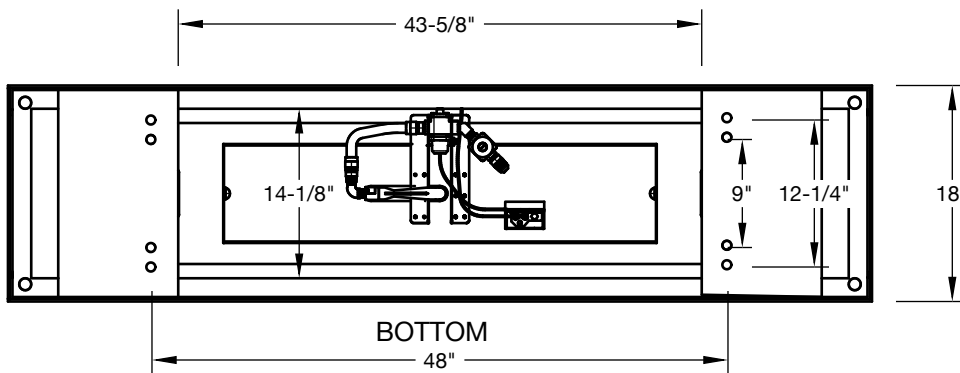
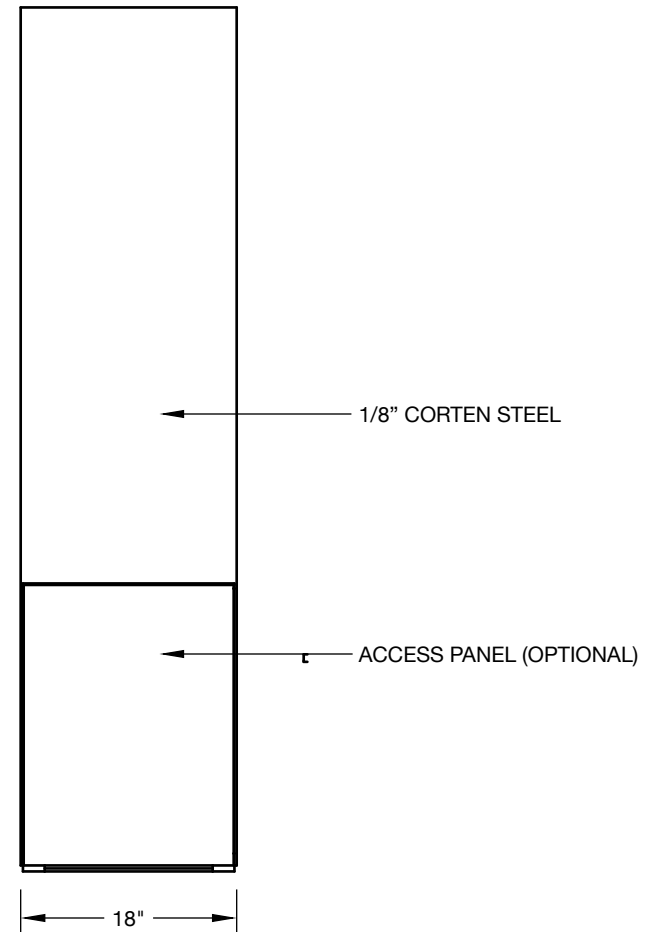
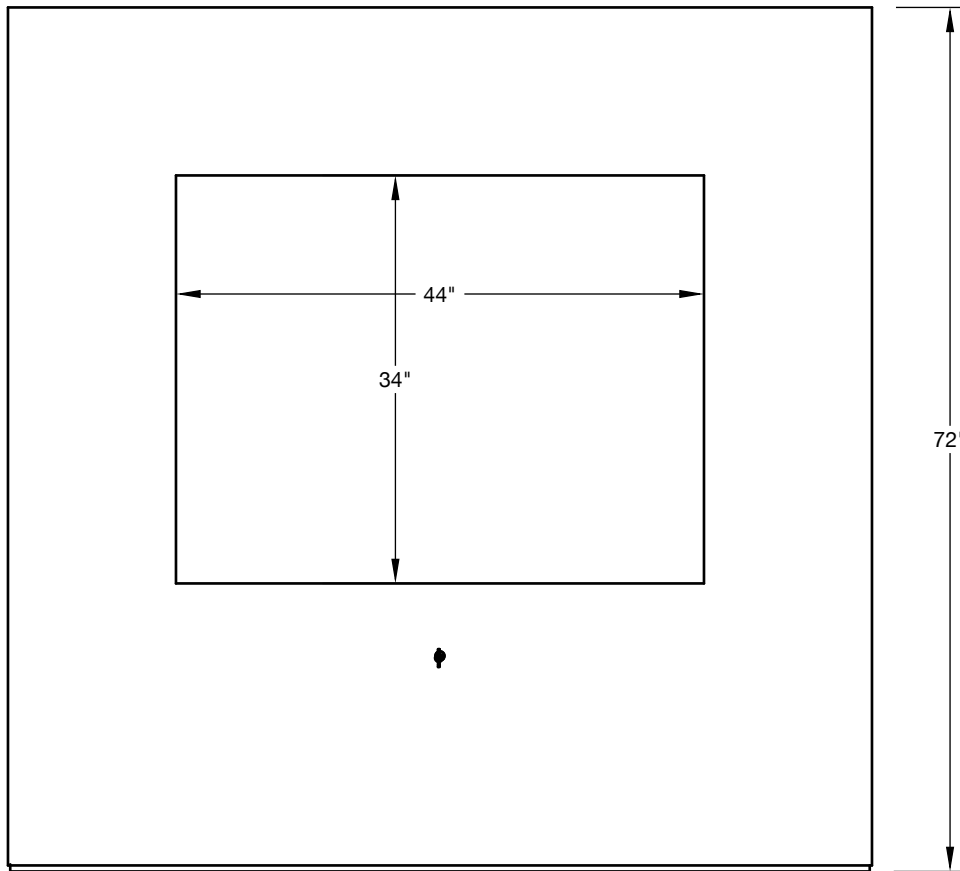
US & Canada - ETL ANSI Z21.97 CSA 2.4.1
 UK & EU - CE GAR (EU) 2016/426
 Switzerland - SVGW

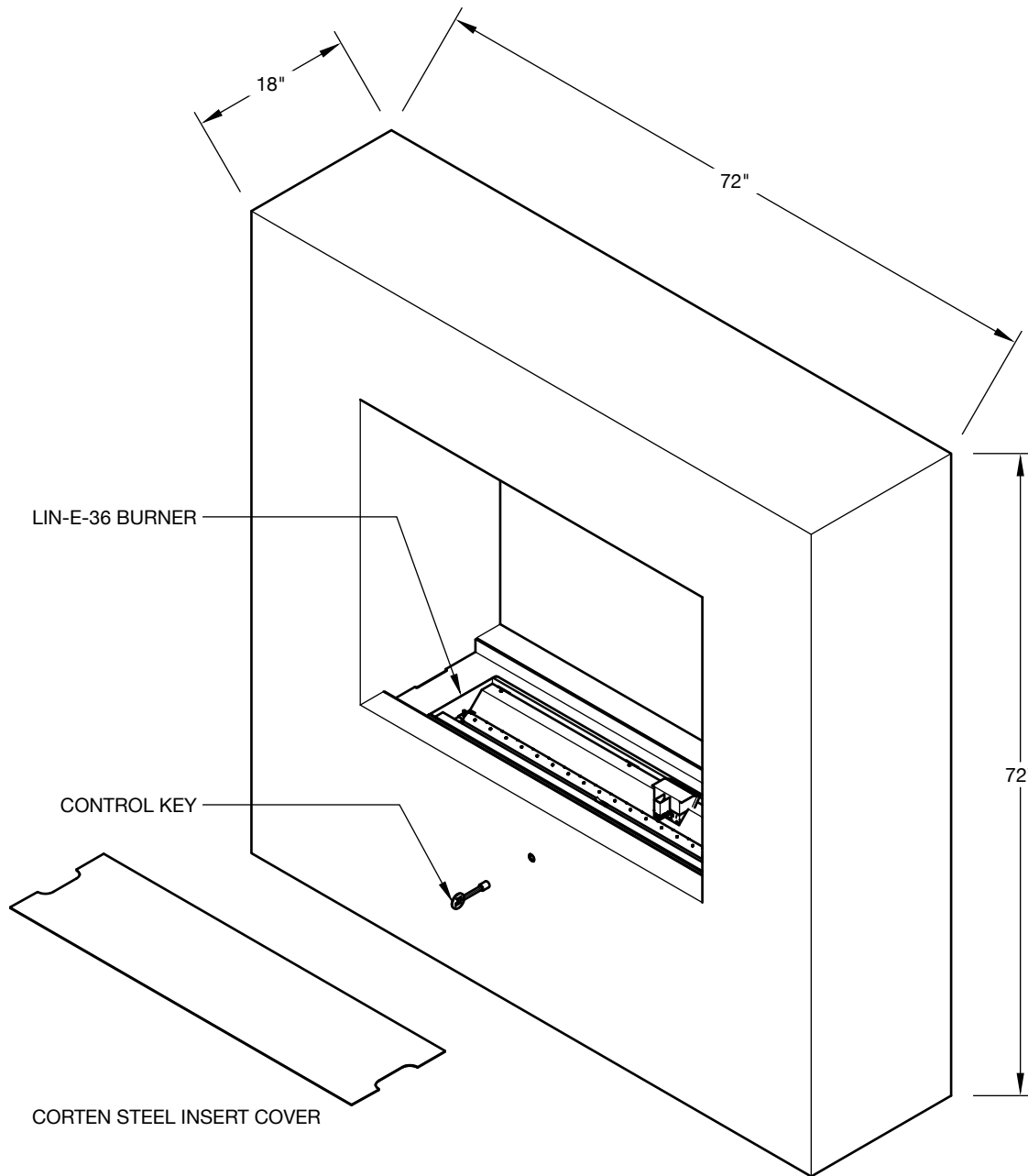
Installed Weight:
Crated Weight:
Crate Size:
Vessel Material & Weight:

up to 650 lbs | 300 kg
 up to 800 lbs / 365 kg
 80"x24"x80"h / 203x60x203 cm
 1/8" Corten Steel 550 lbs

For more information, visit paloform.com/fire-pits/kodo







Technical Data

Burner Model:
Heat Output:

	Natural Gas	Propane
Burner Model:	LIN-M-36	LIN-M-36P
Heat Output:	60,000 BTU/h 18 kW	57,000 BTU/h 18 kW

Clearances to Combustibles:
Available Finishes:
Available Accessories:
Burner Certifications & Standards:

Above: 72" Below: 0" Sides: 12"
 Corten Steel
 Tempered Glass Screen

Installed Weight:
Crated Weight:
Crate Size:
Vessel Material & Weight:

US & Canada - ETL ANSI Z21.97 CSA 2.4.1
 UK & EU - CE GAR (EU) 2016/426
 Switzerland - SVGW
 up to 650 lbs | 300 kg
 up to 800 lbs / 365 kg
 80"x24"x80"h / 203x60x203 cm
 1/8" Corten Steel 550 lbs

For more information, visit paloform.com/fire-pits/kodo

